

# SWITCHES PUSH BUTTON

## SUB-MINIATURE PUSH BUTTON SWITCHES

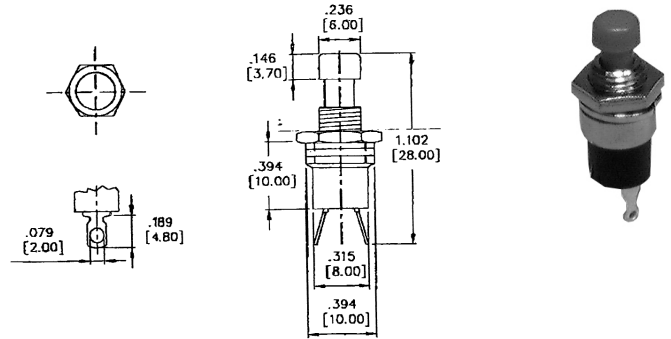
### SPECIFICATIONS:

<b>Current Rating:</b>	1A @ 125V AC
<b>Initial Contact Resistance:</b>	DC 2.5V-1A, 10 Meg ohm (Min.)
<b>Insulation Resistance:</b>	500V DC 100 Meg ohm (Min.)
<b>Dielectric Strength:</b>	1000V AC for 1 minute
<b>Contact Material:</b>	Brass - Silver Plate
<b>Terminal Material:</b>	Brass - Silver Plate
<b>Terminal Type:</b>	Solder

Part No.	Type	Action	Actuator
*30-2289	SPST	OFF - (ON)	Red Nylon
*30-2299	SPST	(OFF) - ON	Black Nylon

NOTE: ( ) = Momentary

\* = 2 Pieces per blister pack



Mounting Hole: 0.265"

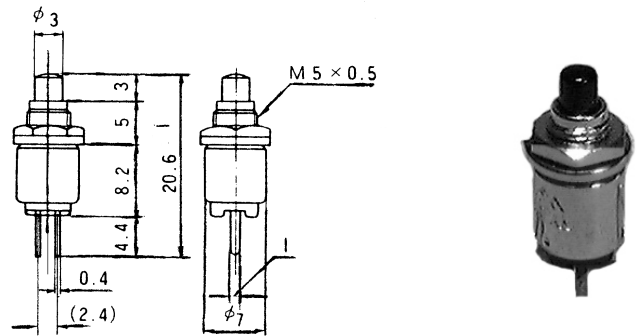
## MINIATURE PUSH BUTTON SWITCH

### SPECIFICATIONS:

<b>Current Rating:</b>	1/2A @ 125V AC
<b>Initial Contact Resistance:</b>	20 Meg ohm (Max.)
<b>Insulation Resistance:</b>	500V DC 100 Meg ohm (Min.)
<b>Dielectric Strength:</b>	1000V AC for 1 Minute
<b>Contact Material:</b>	Brass - Silver Plate
<b>Terminal Material:</b>	Brass - Silver Plate
<b>Terminal Type:</b>	Solder

Part No.	Type	Action	Actuator
30-040	SPST	OFF - (ON)	Black Button

NOTE: ( ) = Momentary



Mounting Hole: 0.250"

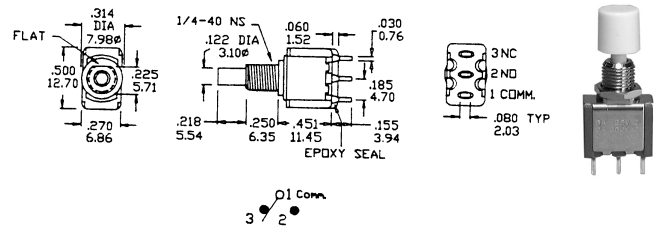
## MINIATURE SNAP ACTION PUSH BUTTON SWITCH (SPDT)

### SPECIFICATIONS:

<b>Current Rating:</b>	1A @ 125V AC, 38V DC
<b>Initial Contact Resistance:</b>	10 Meg ohm (Max.), Initial @2-4V DC
<b>Insulation Resistance:</b>	1000 Meg ohm (Min.)
<b>Dielectric Strength:</b>	1000V RMS @ Sea Level
<b>Contact Material:</b>	Brass w/Gold Plate over Nickel Plate
<b>Terminal Material:</b>	Brass - Nickel Plate
<b>Terminal Type:</b>	Solder

Part No.	Type	Action	Actuator
30-2700	SPDT	Snap Action Momentary	White Nylon

Terminal Connection	1-3	-	1-2



Mounting Hole: 0.250"

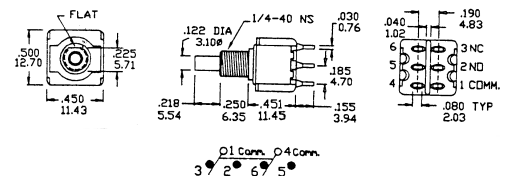
## MINIATURE SNAP ACTION PUSH BUTTON SWITCH (DPDT)

### SPECIFICATIONS:

<b>Current Rating:</b>	1A @ 125V AC, 38V DC
<b>Initial Contact Resistance:</b>	10 Meg ohm (Max.), Initial @2-4V DC
<b>Insulation Resistance:</b>	1000 Meg ohm (Min.)
<b>Dielectric Strength:</b>	1000V RMS @ Sea Level
<b>Contact Material:</b>	Brass w/Gold Plate over Nickel Plate
<b>Terminal Material:</b>	Brass - Nickel Plate
<b>Terminal Type:</b>	Solder

Part No.	Type	Action	Actuator
30-2750	DPDT	Snap Action Momentary	White Nylon

Terminal Connection	1-3, 4-6	-	1-2, 4-5



Mounting Hole: 0.250"

NOTE: Nos. 30-2700 and 30-2750 are supplied with red cap; also available black, green and yellow.