

# SWITCHES

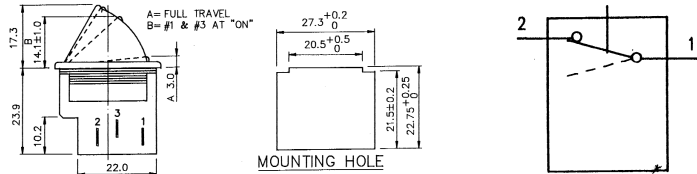
## FRIG SWITCH- SPST

Designed for use in a refrigerator as a light switch, turning "on" when the door is opened. Switch is normally on until the activator is depressed; or pushed down by a closing door. For mounting in metal panel. Can be used in "dead mans" switch applications. Applications could include alarm systems, hood up indicator switch etc.



ELECTRICAL RATING; UL Listed SPST Switch.  
 Current Rating: 5A @125 VAC  
 Insulation Resistance: @DC 500V 100 Megohms  
 Withstand Voltage: AC 1500V 1 minute  
 Contact Resistance: DC 2-4V 1A 100 milliohms-ohms or less.  
 Life: 100,000 cycles at 5 Amps  
 Minimum stroke to open contacts is 0.5mm from full open position  
 Action: (OFF) - ON

No. 30-17065



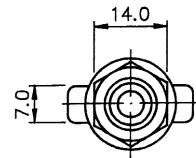
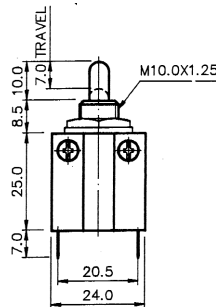
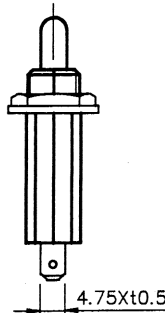
## Round Hole Mounting Plunger TAMPER SWITCH

A very economical switch. Mounts in 3/8" round hole (panel thickness up to 1/10"). The switch is normally closed (on) when the actuator is fully extended and open (off) when the actuator is depressed .020" travel distance. Total actuator travel distance is 0.40"



ELECTRICAL RATING:  
 not UL Listed SPST Switch  
 Current Rating: 2A @125 VAC, 1A @250 VAC  
 Insulation Resistance: @DC 500V 50 Megohms  
 Withstand Voltage: AC 1500V 1 minute  
 Minimum stroke to open contacts is depressing actuator by .020" or 0.5mm from fully relaxed position.  
 ACTION: (OFF)- ON

No. 30-17063



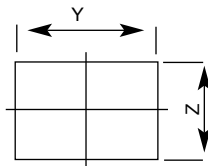
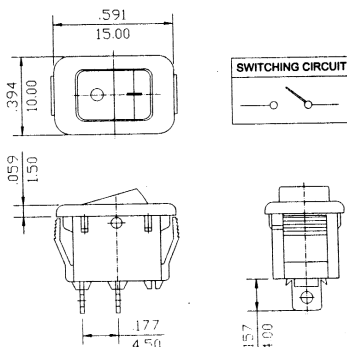
## Micro Rocker Switches

A very small Rocker with a good "feel" in the action, excellent for small appliances, battery operated portable devices. This is a SPST switch and the black and white activators are marked with the "universal" digital "1" and "0" to indicated ON and OFF. The red actuator is plain, no markings.



panel thickness	Y
0.75 to 1.25 mm	13.6mm
1.25 to 2.00 mm	13.7mm
2.00 to 3.00 mm	13.8mm

Electrical Ratings:  
 SPST snap action Rocker.  
 6A @125 VAC or 3A @250 VAC (UL)  
 3A@250 VAC (CQC)  
 Rating: 3A@125 VAC, 250 VAC pending for VDE  
 Initial Contact resistance: 20m ohm Max.  
 Insulation Resistance: 100 Ohm @500 VDC  
 Dielectric Strength: 1,000 VAC for 1 minute  
 Electrical/mechanical life: 10,000 cycles  
 Temperature range: 0 to 88 degrees centigrade  
 Base: Nylon66, UL rated 94V-2 min.  
 Spring: Piano wire  
 Stationary contact: Silver Alloy



Note that Dimension "Y" mounting hole varies with panel thickness as below. Dimension Z is 9.2mm for all.



Part No.	Type	Action	Actuator
30-870	SPST	On-Off	White (with 0 - markings in black)
30-872	SPST	On-Off	Black (with 0 - markings in white)
30-874	SPST	On-Off	Red (plain, no marking on actuator)