

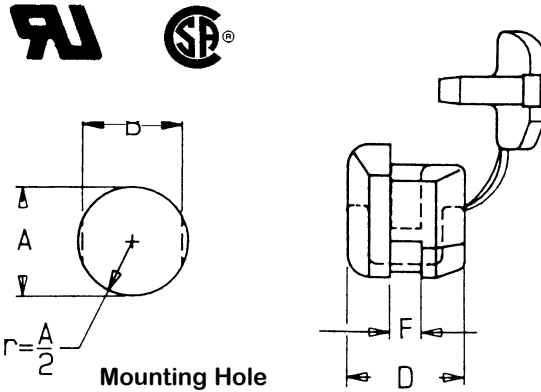
# STRAIN RELIEFS & WIRE

## STRAIGHT-THROUGH STRAIN RELIEF BUSHINGS



UL Listed; Sizes for most popular AC power cords. Recognized under Component Program of Underwriters' Laboratories File No. E-10793. Certified by Canadian Standards Assoc. File No. LR-66162. This series of AC cord bushing provides the most accepted method of securing AC power cords at the point where they enter/exit the chassis or cabinet. These bushings are generally regarded as permanent and will prevent damage to the wire as well as securing the wire against any possible in-out motion. Select the type needed first by wire type and gauge and then the maximum panel thickness. In cases where the wire is a special, not listed in the chart, use the approximate wire size column. Molded of Nylon; the two pieces of these strain reliefs are permanently connected by an integral tether to prevent them from becoming separated. Part no. shown is for one package containing ten pieces. For bulk package add a "B" to the end of number and order in standard package multiples of 50 pieces.

Part Number	Wire Shape	UL Wire Type	Approx. Wire Size	Hole A	Hole B	Max. "Thk.F	Dim. D
65-1000	Flat	SPT-1	.118x.220"	.433"	.390"	.0625"	.406"
65-1010	Flat	SPT-1	.118x.220"	.433"	.390"	.098"	.406"
65-1015	Flat	SPT-2	.150x.300"	.5-.515"	.465"	.0625"	.406"
65-1020	Flat	SPT-2	.150x.300"	.5-.515"	.465"	.098"	.406"
65-1025	Round	SVI SVT	.25-.291"	.5-.515"	.452"	.0625"	.433"
65-1030	Round	SVI SVT	.25-.291"	.5-.515"	.452"	.098"	.433"
65-1035	Round	SJT-18/3	.30"	.625"	.55"	.0625"	.583"
65-1040	Round	SJT-18/3	.30"	.625"	.55"	.125"	.583"
65-1045	Round	SJT-16/3	.320-.362"	.625"	.55"	.0625"	.583"
65-1050	Round	SJT-16/3	.320-.362"	.625"	.55"	.125"	.583"
65-1055	Round	SJT-14/3	.433"	.780"	.660"	.063"	.748"
65-1055	Round	SJT-14/3	.362-.413"	.750"	.660"	.063"	.748"
65-1060	Round	SJT-14/3	.433"	.780"	.660"	.125"	.748"
65-1060	Round	SJT-14/3	.362-.413"	.750"	.660"	.125"	.748"
65-1070	Round	SJT-12/3	.472-.598"	.750"	.750"	.125"	.818"



**Maximum Chassis Thickness**  
Part actually has additional clearance.

STRAIN RELIEF TOOL No. 63-640

## PHILMORE STRAIN RELIEF TOOL

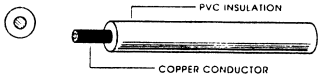
High quality assembly tool for Nylon strain reliefs. Adjustable for all Philmore & other Heyco - Type strain relief bushings, that assemble into holes up to 7/8" diameter. Spring loaded action (replaces Philmore WS40).

No. 63-640



## HOOKUP or LEAD WIRE

22 gauge, solid copper hookup wire with PVC insulation; UL listed 1007/1569. This is the standard at board level and also fits our Prototype Boards, both solderless and solder types. Supplied in 25 foot hanks in various colors and also in an assortment.



**SPECIFICATIONS:**  
UL 1007/1569  
Insulation: .016" thk. PVC 105°C  
300-volts nominal O.D. .0626"

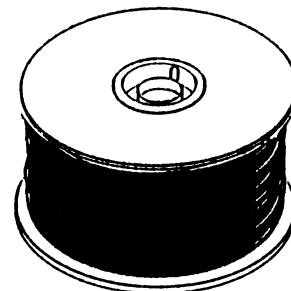


- No. 12-2211 - black
- No. 12-2214 - white
- No. 12-2216 - red
- No. 12-2217 - green
- No. 12-2218 - yellow
- No. 12-2276 - 5 piece kit, 1 each of 5 colors

200

## MAGNET WIRE

Commonly used for winding R.F. coils and transformers and general lab or school classroom assembly. This is a standard round, pure copper wire with a polyimide enamel inner-coat and polyurethane over coat; Thermo Class 130. The insulation will stand up and not crack during winding of tight coils, high speed winding etc..



Part No.	AWG Size	Approx. Footage per 1/2 lb. spool	Part No.	AWG Size	Approx. Footage per 1/2 lb. spool
12-1234	34	4050 feet	12-1224	24	408 feet
12-1232	32	2510 feet	12-1222	22	251 feet
12-1230	30	1640 feet	12-1220	20	160 feet
12-1228	28	1032 feet	12-1218	18	101 feet
12-1226	26	650 feet	12-1216	16	62 feet