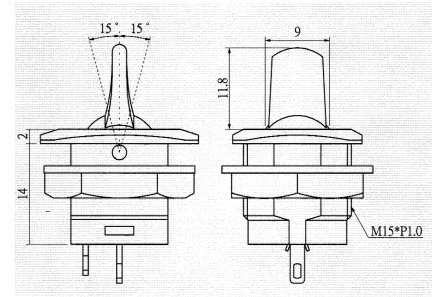
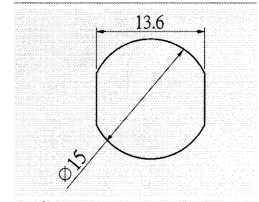


SWITCHES

ROUND PADDLE LEVER TOGGLE SWITCHES

Current Rating:	3A 250VAC, 6A 125VAC		
Initial Contact Resistance:	<50Meg Ohms @12VDC		
Insulation Resistance:	>100Meg Ohms		
Dielectric Strength (Open Contacts):	>1500V for 1 minute		
Contact Material:	Silver Plated Brass		
Terminal Material:	Copper Alloy		
Body Material:	Nylon (UL 94V-2)		
Actuator & Bezel:	Nylon (UL 94V-2)		
Terminal Type:	Solder Connection		
Mounting hardware:	M15 P1.0		
Part No.	Type	Action	Actuator Color
30-10320	SPST	On-Off	Black Paddle
30-10322	SPDT	On-On	Black Paddle
30-10324	SPDT	On-(On)	Black Paddle
30-10326	SPDT	On-Off-On	Black Paddle
30-10328	SPDT	On-Off-(On)	Black Paddle
30-10329	SPDT	(On)-Off-(On)	Black Paddle

Panel Cut-out: 15mm (.59") () = Momentary
 Maximum panel thickness 6.0 mm



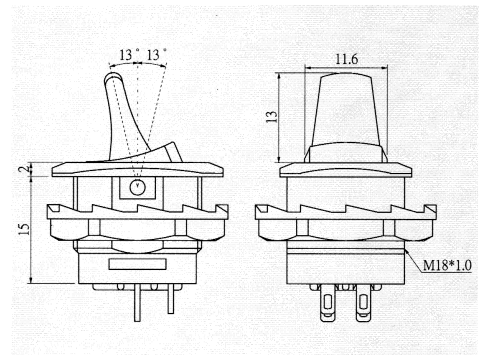
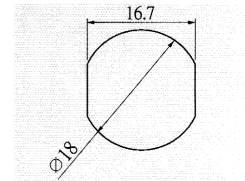
ROUND PADDLE LEVER TOGGLE SWITCHES

Current Rating:	6A 250VAC, 10A 125VAC		
Initial Contact Resistance:	<50Meg Ohms @12VDC		
Insulation Resistance:	>100Meg Ohms		
Dielectric Strength (Open Contacts):	>1500V for 1 minute		
Contact Material:	Silver Plated Brass		
Terminal Material:	Copper Alloy		
Body Material:	Nylon (UL 94V-2)		
Actuator & Bezel:	Nylon (UL 94V-2)		
Terminal Type:	Solder Connection		
Mounting Hardware:	M18 P1.0		
Lamp Voltage:	LED 2V* @20ma (*resistor needed for other voltages)		
Part No.	Type	Action	Lamp / Actuator Color
30-10440	DPST	On-Off	Black Paddle
30-10442	DPDT	On-On	Black Paddle
30-10444	DPDT	On-Off-On	Black Paddle
30-10522	SPST	On-Off	LED Lamp, Red
30-10523	SPST	On-Off	LED Lamp, Amber
30-10525	SPST	On-Off	LED Lamp, Green
30-10622	SPDT	On-On	LED Lamp, Red
30-10623	SPDT	On-On	LED Lamp, Amber
30-10625	SPDT	On-On	LED Lamp, Green
30-10722	SPDT	On-Off-On	LED Lamp, Red
30-10723	SPDT	On-Off-On	LED Lamp, Amber
30-10725	SPDT	On-Off-On	LED Lamp, Green

Panel Cut-out: 18mm (.70")
 Maximum panel thickness 5.0 mm



LED indicator on top of lever



HEAVY-DUTY 12 VOLT WINDOW SWITCH

Current Rating:	20A @ 12VDC		
Initial Contact Resistance:	<50Meg Ohms @12VDC		
Insulation Resistance:	>100Meg Ohms		
Dielectric Strength (Open Contacts):	>1500V for 1 minute		
Contact Material:	Silver Plated Brass		
Terminal Material:	Copper Alloy		
Body Material:	Nylon (UL 94V-2)		
Actuator & Bezel:	Nylon (UL 94V-2)		
Terminal Type:	.187" Quick Connect		
Part No.	Type	Action	Lamp / Actuator Color
30-16579	DPDT	(On)-Off-(On)	Black Actuator

Panel Cut-out: 22mm (.87") X 30mm (1.18") () = Momentary

