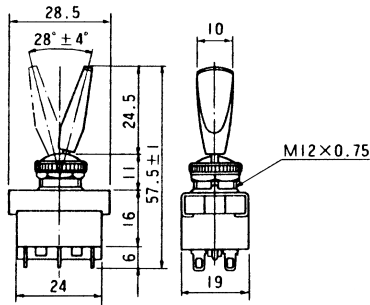
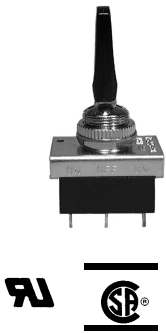


SWITCHES PADDLE HANDLE TOGGLE

STANDARD SIZE PADDLE HANDLE TOGGLE SWITCH



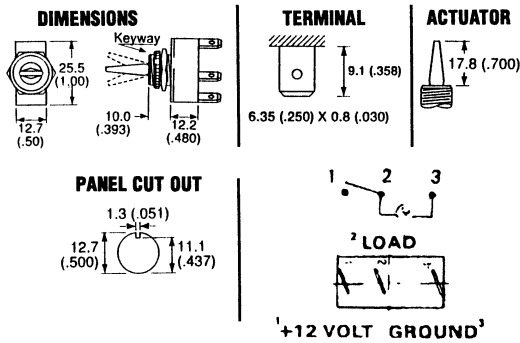
Mounting Hole: 0.500"

SPECIFICATIONS:

Current Rating:	10A @ 125V AC, 6A @ 250V AC
Initial Contact Resistance:	20 Meg ohm (Max.)
Insulation Resistance:	500V DC 100 Meg ohm (Min.)
Dielectric Strength:	1500V AC for 1 minute
Contact Material:	Brass - Bright Nickel Plate
Terminal Material:	Brass - Bright Nickel Plate
Terminal Type:	Solder

Part No.	Type	Action		Actuator	
30-089	DPDT	ON	OFF	ON	Black Plastic

LIGHTED PADDLE HANDLE TOGGLE SWITCHES



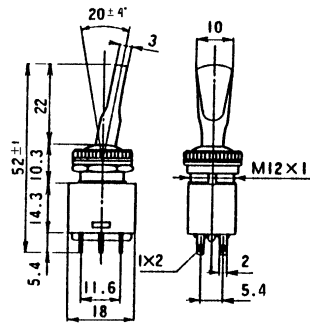
Mounting Hole: 0.500"

SPECIFICATIONS:

ELECTRICAL RATING:	
16A	12V DC
MATERIALS:	
Contact Material:	Silver - Silver Plated
Terminal Material:	Silver - Silver Plated
Lamp:	12V, 55mA, 10,000 Hr Avg. Life
Initial Contact Resistance:	5 Milliohms (Max.)
Insulation Resistance:	100 Megaohms
Dielectric Strength:	1500V AC (Min.)

Part No.	Type	Action		Actuator
30-890	SPST	ON	OFF	Red
30-892	SPST	ON	OFF	Green
30-894	SPST	ON	OFF	Amber

MINIATURE LIGHT DUTY PADDLE HANDLE TOGGLE SWITCHES



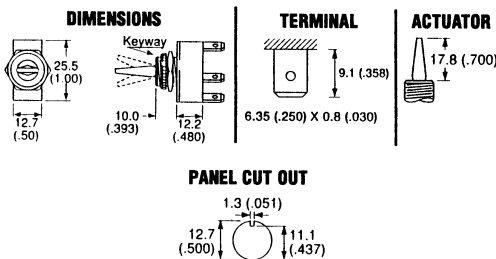
Mounting Hole: 0.500"

SPECIFICATIONS:

Current Rating:	6A @ 125V AC
Initial Contact Resistance:	20M ohm (Max.)
Insulation Resistance:	500V DC 100 Meg ohm (Min.)
Dielectric Strength:	1000V AC for 1 Minute
Contact Material:	Brass - Bright Nickel Plate
Terminal Material:	Brass - Bright Nickel Plate
Terminal Type:	Solder

Part No.	Type	Action		Actuator
30-036	SPST	ON	OFF	Black Plastic
30-038	DPDT	ON	ON	Black Plastic

STANDARD SIZE PADDLE HANDLE TOGGLE SWITCHES



Mounting Hole: 0.500"

SPECIFICATIONS:

ELECTRICAL RATINGS:		
20A	125-250V AC 85C Single Pole	UL E45221
1/4HP	125V AC 1/2HP 250V AC 3 Pos.	UL/CSA
1/2HP	125V AC 1HP 250V AC 2 Pos.	UL/CSA
16A	125-250V AC	CSA LR10990
16 (4)A	250V AC T85	VDE 89254
20A	28V DC	Approvals N/A

Part No.	Type	Action		Actuator
30-170	SPST	ON	OFF	Black Nylon
30-171	SPDT	ON	ON	Black Nylon
30-172	SPDT	ON	OFF	Black Nylon

