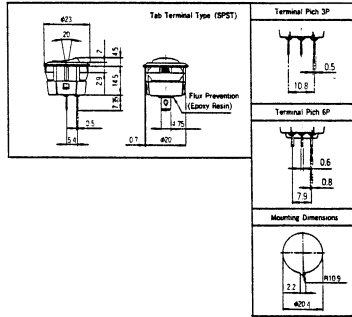


SWITCHES ROCKER

ROCKER SWITCHES



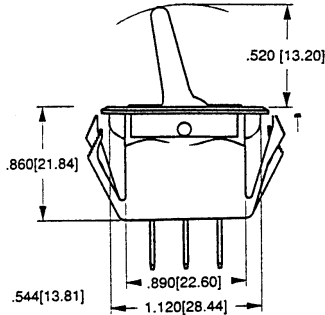
Mounting Hole: 0.812" (13/16)

SPECIFICATIONS:

Current Rating:	5A @ 125V AC, 3A @ 250V AC
Initial Contact Resistance:	DC 2.5V-1A, 20 Meg ohm (Max.)
Insulation Resistance:	500V DC 100 Meg ohm (Min.)
Dielectric Strength:	1500V AC for 1 minute
Contact Material:	Copper - Silver Plate
Terminal Material:	Copper - Silver Plate
Terminal Type:	Solder

Part No.	Replaces	Type	Action			Actuator
30-10055	10055	SPDT	ON	-	ON	Red Nylon
30-10056	10056	DPST	ON	-	OFF	Red Nylon
30-10058	10058	DPDT	ON	-	ON	Red Nylon
30-10059	10059	SPST	ON	-	OFF	Black Nylon w/ LED

MINI TIPPETTE PADDLE HANDLE TOGGLE SWITCHES



Mounting Hole: 0.55" x 1.125"

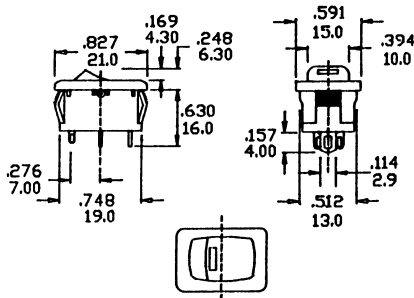
SPECIFICATIONS:

Current Rating:	15A @ 125VAC, 10A @ 250VAC
	3/4 HP 125-250VAC
Insulation Resistance:	100 Meg ohm (Min.)
Dielectric Strength:	1000V (min.)
Base Material:	Nylon
Terminal Type:	.250" Quick Connect

Part No.	Type	Action			Actuator
30-10308	SPST	ON	-	OFF	Black Nylon
30-10318	SPST	ON	-	OFF	Black Nylon with Amber Lens
30-10319	SPST	ON	-	OFF	Black Nylon with Red Lens

NOTE: Lamp Voltage 125Volt/Neon

ROCKER SWITCHES with LED



Mounting Hole: 0.51" x 0.75"

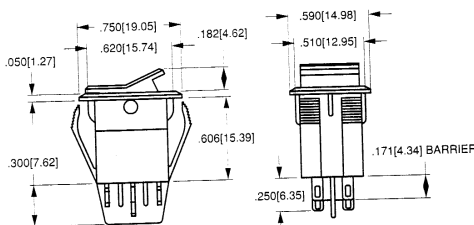
SPECIFICATIONS:

Current Rating:	6A @ 125 V AC, 3A @ 250 V AC
Initial Contact Resistance:	DC 2.5V-1A, 20 Meg ohm (Max.)
Insulation Resistance:	500V DC 100 Meg ohm (Min.)
Dielectric Strength:	1500V AC for 1 minute
Contact Material:	Copper - Silver Plate
Terminal Material:	Copper - Silver Plate
Terminal Type:	Solder

Part No.	Replaces	Type	Action			Actuator
30-10083	10083	SPST	ON	-	OFF	Black Nylon w/ Red LED
30-10085	10085	SPST	ON	-	OFF	Black Nylon w/ Green LED
30-16081*	-	SPST	ON	-	OFF	Black Nylon w/Amber LED

*30-16081 has .187" Quick Connect Terminal

MINIATURE ROCKER SWITCHES



Mounting Hole: 0.515" x 0.625"

SPECIFICATIONS:

Current Rating:	8A @ 125 V AC, 4A @ 250 V AC
Insulation Resistance:	100 Meg ohms (Min.)
Dielectric Strength:	1000V (Min.)
Base Material:	Nylon
Terminal Type:	Solder

Part No.	Type	Action			Actuator
30-654	DPDT	ON	-	ON	Red Nylon
30-656	DPDT	ON	OFF	ON	Red Nylon