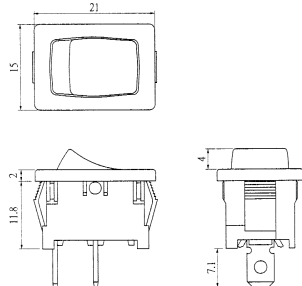


# SWITCHES ROCKER

## MINIATURE ROCKER SWITCHES



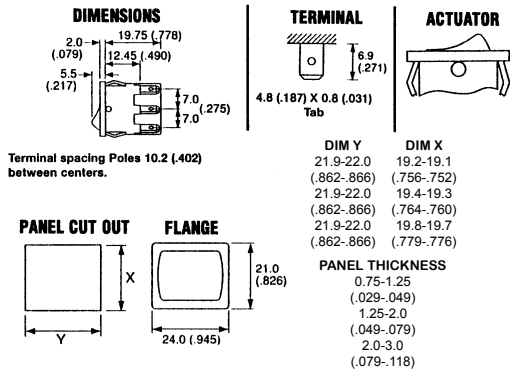
Mounting Hole: .51" x .751"

### SPECIFICATIONS:

<b>Current Rating:</b>	10A @ 125V AC, 6A @ 250V AC
<b>Initial Contact Resistance:</b>	50 Meg ohm (Max.)
<b>Insulation Resistance:</b>	DC 500V 100 Meg ohms (Min.)
<b>Dielectric Strength:</b>	AC 1500V 1 min.
<b>Base Material:</b>	Nylon UL 94V-2
<b>Terminal Material:</b>	Brass/Silver Plate
<b>Terminal Type:</b>	.187" Quick Connect

Part No.	Type	Action			Actuator
30-16605	SPST	ON	-	OFF	Black Nylon with Red 0-I Legend
30-16606	DPDT	ON	-	ON	Black Nylon
30-16607	SPST	ON	-	OFF	Black Nylon
30-16608	DPST	ON	-	OFF	Black Nylon
30-16612	SPDT	ON	-	ON	Black Nylon

## MINIATURE ROCKER SWITCH



Terminal spacing Poles 10.2 (.402) between centers.

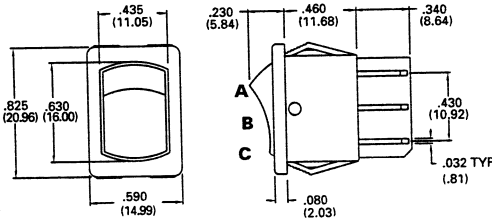
### SPECIFICATIONS:

ELECTRICAL RATINGS:			
10A	125-250V AC 65C	UL E45221	CSA LR10990
1/4HP	125V AC 1/2HP 250V AC		UL/CSA
6A	277V AC		UL
15 (4)A	125-250V AC 90C		
	1/2HP 250V AC		UL
	1/4HP 125V AC		
10 (4)A	250V AC T90		VDE44375
25A	Inrush		EN61058-1
10A	28V DC		Approvals N/A

MATERIALS:	
<b>Body:</b>	Nylon 6.6
<b>Actuator:</b>	Nylon 6.6
<b>Contact Gap:</b>	3mm (.118)
<b>Contact Material:</b>	Silver Alloy

Part No.	Type	Action			Actuator
30-846	DPDT	ON	-	ON	Black

## MINIATURE SNAP-IN ROCKER SWITCHES



Mounting Hole: .756" x .508"

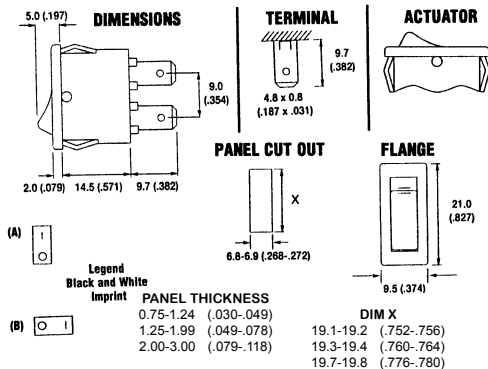
### SPECIFICATIONS:

<b>Current Rating:</b>	*13A @ 125V AC, 10A @ 250V AC 1/2 HP @ 125-250V AC, 5A @ 14V DC **16A @ 125V AC, 10A @ 250V AC 3/4 HP @ 125-250V AC, 5A @ 14V DC
<b>Initial Contact Resistance:</b>	5 Meg ohm (Max.)
<b>Insulation Resistance:</b>	100 Meg ohm (Min.)
<b>Dielectric Strength:</b>	1000V AC for 1 minute
<b>Contact Material:</b>	Copper Alloy
<b>Terminal Material:</b>	Silver Plate - Copper Alloy
<b>Terminal Type:</b>	.187" Quick Connect

Part No.	Type	Action			Actuator
**30-002	SPDT	ON	-	ON	Black Nylon
*30-004	SPDT	ON	OFF	ON	Black Nylon
**30-042	SPST	ON	-	OFF	Black Nylon
**30-043	DPST	ON	-	OFF	Black Nylon

## TINY ROCKER SWITCHES

Ideal for small appliances or controls with limited space. The Mini rocker switch is capable of handling high currents as the traditional larger switches. This product range is electrically approved in thirteen countries.



Legend  
Black and White Imprint  
(A) (B)

### SPECIFICATIONS:

ELECTRICAL RATINGS:		
12A	125-250V AC	UL E45221
1/2HP	125V AC	UL E45221
12A	125-250V AC	CSA LR10990
10 (6)A	250V AC T100	VDE88662
10A	24V DC	

<b>Tracking resistance:</b>	<b>KB250</b>
<b>Humidity resistance at 91-95% relative humidity:</b>	<b>48 hours</b>
<b>Switch body/rocker:</b>	<b>Nylon 66</b>
<b>Current carrying parts</b>	
<b>Contact points:</b>	<b>Silver Alloy</b>
<b>End terminal:</b>	<b>Copper Alloy with Silver Alloy contact</b>
<b>Pivot terminal:</b>	<b>Copper Alloy, Silver plated</b>
<b>Moving contact:</b>	<b>Copper Alloy with Silver Alloy contact</b>

Part No.	Type	Action			Actuator
30-880	SPST	ON	-	OFF	Black Nylon
30-882	SPST	ON	-	OFF	Black Nylon w/ White Imprint (A)
30-884	SPST	ON	-	OFF	Black Nylon w/ White Imprint (B)