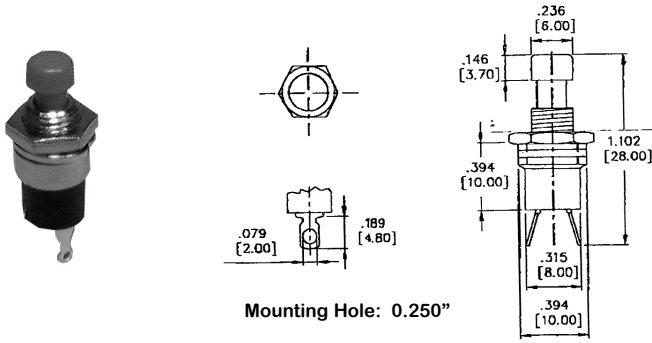


SWITCHES PUSH BUTTON

SUB-MINIATURE PUSH BUTTON SWITCH



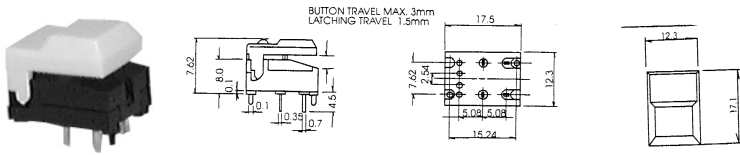
SPECIFICATIONS:

Current Rating:	1A @ 125V AC
Initial Contact Resistance:	DC 2.5V-1A, 10 Meg ohm (Min.)
Insulation Resistance:	500V DC 100 Meg ohm (Min.)
Dielectric Strength:	1000V AC for 1 minute
Contact Material:	Brass - Silver Plate
Terminal Material:	Brass - Silver Plate
Terminal Type:	Solder

Part No.	Replaces	Type	Action			Actuator
*30-2289	*2289	SPST	OFF	-	(ON)	Red Nylon
*30-2299	*2289A	SPST	(OFF)	-	ON	Black Nylon

NOTE: () = Momentary
* = 2 Pieces per blister pack

PUSH BUTTON KEYBOARD SWITCH



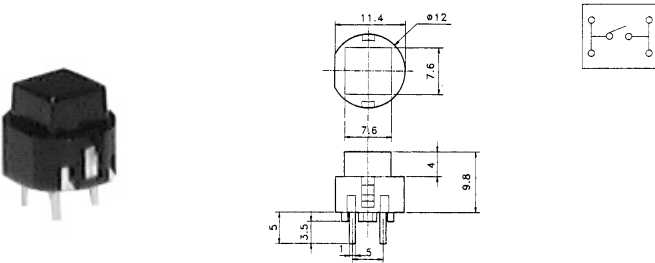
SPECIFICATIONS:

Current Rating:	50mA @ 24V AC
Initial Contact Resistance:	20 Meg ohm Max (AC 12UV/5mA)
Insulation Resistance:	100 Meg ohms. (Min.)
Dielectric Strength:	250V/AC (Min.)
Electrical Life:	200,000 Operations
Shock Resistance:	30G
Terminal Type:	PCB Mount

Part No.	Type	Action			Actuator
30-14419	SPST	OFF	-	(ON)	White Plastic

NOTE: () = Momentary

PUSH BUTTON KEY SWITCH



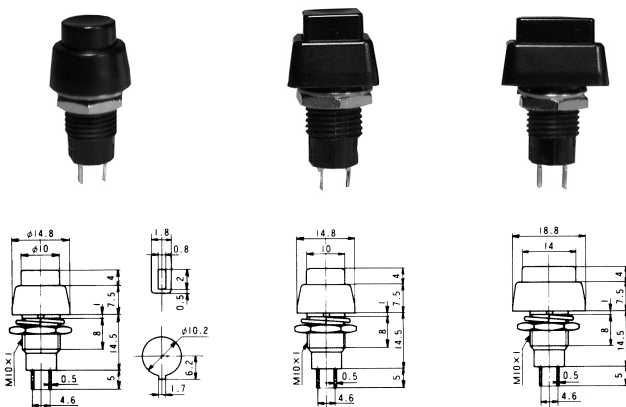
SPECIFICATIONS:

Current Rating:	10mA @ 35V DC
Stroke:	0.8mm
Operating Force:	130 ± 30 gf.
Terminal Type:	PCB Mount

Part No.	Type	Action			Actuator
30-14420	SPST	OFF	-	(ON)	Square Black

NOTE: () = Momentary

MINIATURE PUSH BUTTON SWITCHES



Mounting Hole: 0.406"

SPECIFICATIONS:

Current Rating:	3A @ 125V AC, 1A @ 250V AC
Initial Contact Resistance:	DC 2.5-1A, 20 Meg ohm (Max.)
Insulation Resistance:	500V DC 100 Meg ohm (Min.)
Dielectric Strength:	1500V AC for 1 Minute
Contact Material:	Brass - Silver Plate
Terminal Material:	Brass - Silver Plate
Terminal Type:	Solder

Part No.	Type	Action			Actuator
30-111	SPST	OFF	-	(ON)	Round Black Nylon
30-112	SPST	OFF	-	(ON)	Square Black Nylon
30-113	SPST	OFF	-	(ON)	Rectangular Black Nylon
30-14114	SPST	OFF	-	(ON)	Rectangular Red Nylon

NOTE: () = Momentary