

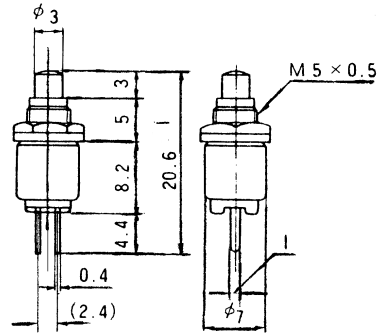
SWITCHES PUSH BUTTON

MINIATURE PUSH BUTTON SWITCH

SPECIFICATIONS:

Current Rating:	1/2A @ 125V AC		
Initial Contact Resistance:	20 Meg ohm (Max.)		
Insulation Resistance:	500V DC 100 Meg ohm (Min.)		
Dielectric Strength:	1000V AC for 1 Minute		
Contact Material:	Brass - Silver Plate		
Terminal Material:	Brass - Silver Plate		
Terminal Type:	Solder		
Part No.	Type	Action	Actuator
30-040	SPST	OFF - (ON)	Black Button

NOTE: () = Momentary

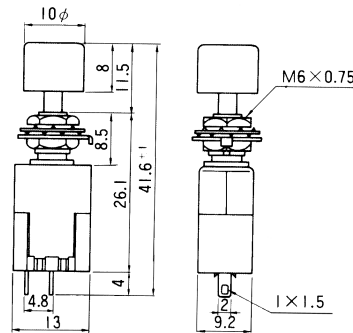


Mounting Hole: 0.250"

MINIATURE PUSH BUTTON SWITCHES

SPECIFICATIONS:

Current Rating:	3A @ 125V AC		
Initial Contact Resistance:	20 Meg ohm (Max.)		
Insulation Resistance:	500V DC 100 Meg ohm (Min.)		
Dielectric Strength:	1000V AC for 1 Minute		
Contact Material:	Brass - Silver Plate		
Terminal Material:	Brass - Silver Plate		
Terminal Type:	Solder		
Part No.	Type	Action	Actuator
30-003	SPDT	Push ON Push ON	Black Button
30-005	DPDT	Push ON Push ON	Black Button



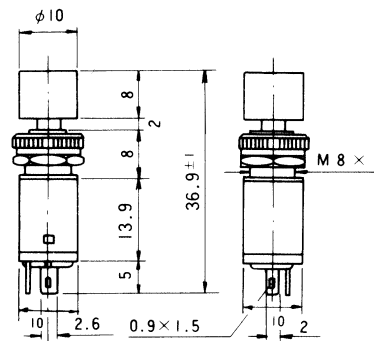
Mounting Hole: 0.250"

MINIATURE PUSH BUTTON SWITCHES

SPECIFICATIONS:

Current Rating:	3A @ 125V AC		
Initial Contact Resistance:	20 Meg ohm (Max.)		
Insulation Resistance:	500V DC 100 Meg ohm (Min.)		
Dielectric Strength:	1000V AC for 1 Minute		
Contact Material:	Brass - Silver Plate		
Terminal Material:	Brass - Silver Plate		
Terminal Type:	Solder		
Part No.	Type	Action	Actuator
30-006	SPST	Push ON Push OFF	Black Button
30-008	SPDT	Push ON Push OFF	Black Button
30-009	SPST	OFF - (ON)	Black Button

NOTE: () = Momentary



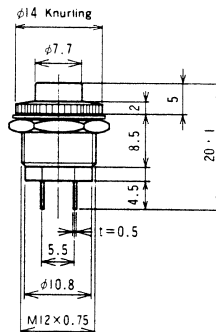
Mounting Hole: 0.328"

MINIATURE PUSH BUTTON SWITCH

SPECIFICATIONS:

Current Rating:	1A @ 125V AC		
Initial Contact Resistance:	20 Meg ohm (Min.)		
Insulation Resistance:	500V DC 100 Meg ohm (Min.)		
Dielectric Strength:	1500V AC for 1 minute		
Contact Material:	Brass - Silver Plate		
Terminal Material:	Brass - Silver Plate		
Terminal Type:	Solder		
Part No.	Type	Action	Actuator
30-146	SPST	OFF - (ON)	Black Plastic

NOTE: () = Momentary



Mounting Hole: 0.50"