

SWITCHES PUSH BUTTON

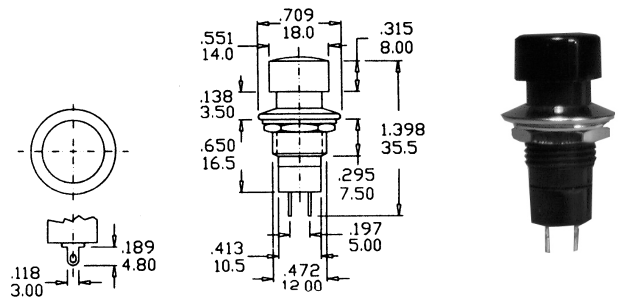
ROUND PUSH BUTTON SWITCHES

SPECIFICATIONS:

Current Rating:	3A @ 125V AC, 1A @ 250V AC
Initial Contact Resistance:	DC 2.5-1A, 20 Meg ohm (Max.)
Insulation Resistance:	500V DC 100 Meg ohm (Min.)
Dielectric Strength:	1500V AC for 1 Minute
Contact Material:	Brass - Silver Plate
Terminal Material:	Brass - Silver Plate
Terminal Type:	Solder

Part No.	Replaces	Type	Action			Actuator
30-10060	10060	SPST	OFF	-	ON	Black Nylon
30-10062	10062	SPST	OFF	-	(ON)	Red Nylon

NOTE: () = Momentary



Mounting Hole: 0.50"

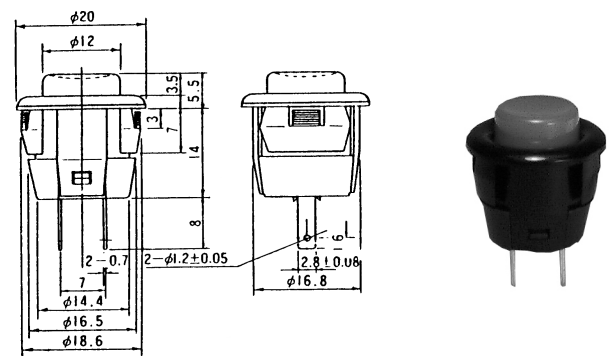
ROUND SNAP-IN PUSH BUTTON SWITCH

SPECIFICATIONS:

Current Rating:	3A @ 125V AC, 1A @ 250V AC
Initial Contact Resistance:	DC 2.5-1A, 20 Meg ohm (Max.)
Insulation Resistance:	500V DC 100 Meg ohm (Min.)
Dielectric Strength:	1000V AC for 1 Minute
Contact Material:	Copper - Silver Plate
Terminal Material:	Copper - Silver Plate
Terminal Type:	Solder

Part No.	Replaces	Type	Action			Actuator
30-2295	2295	SPST	OFF	-	(ON)	Red Nylon

NOTE: () = Momentary



Mounting Hole: 0.71"

PEARL BUTTON SWITCH (Door Bell)

SPECIFICATIONS:

Current Rating:	3-6V DC, 6-10V AC For Low Voltage Applications Only
Contact Material:	Phosphor-Bronze
Terminal Material:	Phosphor-Bronze
Terminal Type:	Screw

Part No.	Replaces	Type	Action			Actuator
30-8188	8188	SPST	OFF	-	(ON)	White Nylon

NOTE: () = Momentary



Mounting Hole: 0.641" In Metal - .625" In Wood

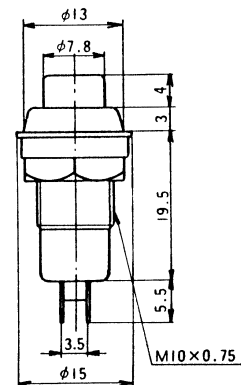
MINIATURE PUSH BUTTON SWITCHES

SPECIFICATIONS:

Current Rating:	3A @ 125V AC, 1A @ 250V AC
Initial Contact Resistance:	DC 2.5V-1A, 20 Meg ohm (Max.)
Insulation Resistance:	500V DC 100 Meg ohm (Min.)
Dielectric Strength:	1500V AC for 1 Minute
Contact Material:	Brass - Silver Plate
Terminal Material:	Brass - Silver Plate
Terminal Type:	Solder

Part No.	Replaces	Type	Action			Actuator
30-2292	2292	SPST	Push OFF	-	Push ON	Silver Metallic
30-2293	2293	SPST	OFF	-	(ON)	Red Nylon

NOTE: () = Momentary



Mounting Hole: 0.406"

