

# SWITCHES PUSH BUTTON

## MOMENTARY PUSH BUTTON SWITCH

### SPECIFICATIONS:

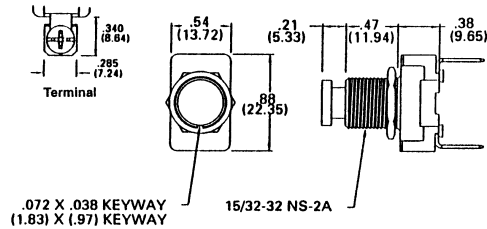
Current Rating:	6A @ 120V AC, 3A @ 240V AC
Initial Contact Resistance:	10 Meg ohm (Max.)
Insulation Resistance:	200 Meg ohm (Min.)
Dielectric Strength:	1000V AC
Contact Material:	Brass - Nickel Plate
Terminal Material:	Brass - Nickel Plate
Terminal Type:	Screw

Part No.	Type	Action			Actuator
30-457	SPST	OFF	-	(ON)	Black Nylon
30-458*	SPST	(OFF)	-	ON	Red Nylon

NOTE: ( ) = Momentary

NOTE: Switches must be installed with a hex nut behind panel to prevent damage during installation.

\*30-458 Rated 3A @ 120VAC, 1.5A @ 277VAC



Mounting Hole: 0.500"

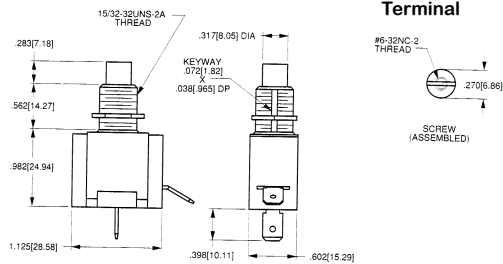


## HEAVY DUTY PUSH BUTTON SWITCHES

### SPECIFICATIONS:

Current Rating:	15A @ 125V AC, 10A @ 250VAC
Insulation Resistance:	100 Meg ohms. (Min.)
Dielectric Strength:	1000V (Min.)
Base Material:	Phenolic
Bushing Material:	Brass/Nickel Plate
Terminal Type:	Screw (#6-32NC-2 Thread)

Part No.	Type	Action			Actuator
30-14455	SPST	ON	-	OFF	Brass/Nickel Plate



Mounting Hole: 0.500"



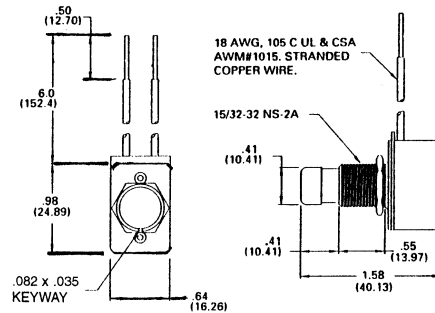
## UTILITY AC/DC PUSH BUTTON SWITCH (Snap-ON Snap-OFF)

### SPECIFICATIONS:

Current Rating:	8A @ 125V AC, 4A @ 250V AC 10A @ 125V AC, 1/3 HP 125V AC
Initial Contact Resistance:	10 Meg ohm (Max.)
Insulation Resistance:	100 Meg ohm (Min.)
Dielectric Strength:	1000V AC
Contact Material:	Brass - Nickel Plate
Terminal Material:	Brass - Nickel Plate
Terminal Type:	6" 18 AWG Wire Lead

Part No.	Type	Action			Actuator
30-354	SPST	ON	-	OFF	Black Plastic

NOTE: Switches must be installed with a hex nut behind panel to prevent damage during installation.



Mounting Hole: 0.500"



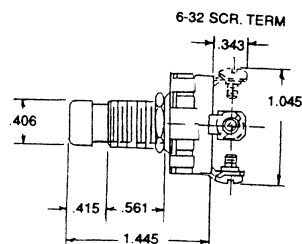
## HEAVY DUTY UTILITY AC PUSH BUTTON SWITCHES

### SPECIFICATIONS:

Current Rating:	15A @ 125V AC, 10A @ 250V AC
Dielectric Strength:	1000V RMS Min.
Contact Mechanism:	Slow-Make, Slow-Break Butt Contact
Contact Material:	Copper Alloy/Silver Plate
Terminal Type:	Screw

Part No.	Type	Action			Actuator
30-1425	SPST	ON	-	OFF	Metal
30-1426	SPST	OFF	-	(ON)	Metal
30-1427	SPST	(OFF)	-	ON	Metal
30-1428	SPDT	ON	-	ON	Metal

NOTE: ( ) = Momentary



Mounting Hole: 0.500"

