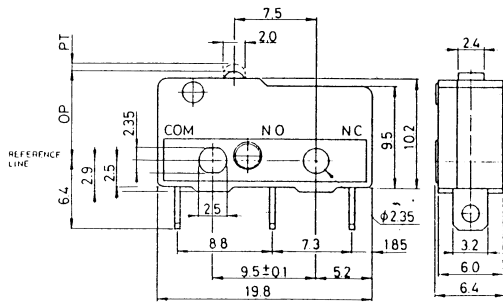
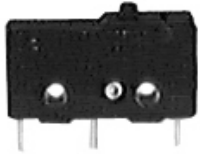


SWITCHES SUB - MINIATURE & MINIATURE SNAP ACTION

SUB-MINIATURE SNAP ACTION SWITCH with PIN PLUNGER



SPECIFICATIONS:

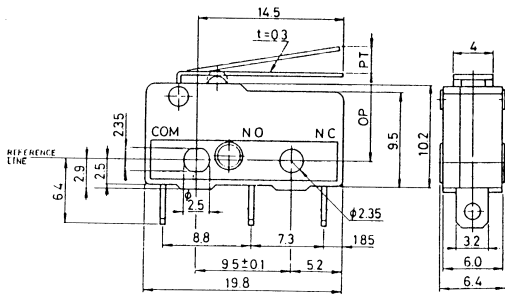
Current Rating:	5A @ 125V AC, 3A @ 250V AC
Initial Contact Resistance:	15 Meg ohm (Max.)
Insulation Resistance:	500V DC 1000 Meg ohm (Min.)
Dielectric Strength:	1000V AC for 1 Minute
Contact Material:	Silver
Terminal Material:	Brass - Silver Plate
Terminal Type:	Solder

Part No.	Replaces	Type	Action	Actuator
30-2500	AM2500	SPDT	Snap Action Momentary	Pin Plunger

SPECIFICATIONS:

Terminal:	Solder	OT Min.:	0.6mm
OF Max.:	150g	MD Max.:	0.2mm
RF Min.:	55g	FP Max.:	9.2mm
PT Max.:	0.6mm	OP:	8.4 ± 0.5mm

SUB-MINIATURE SNAP ACTION SWITCH with SHORT LEVER



SPECIFICATIONS:

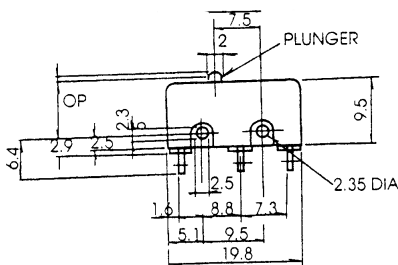
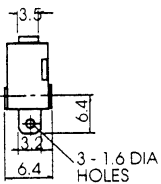
Current Rating:	5A @ 125V AC, 3A @ 250V AC
Initial Contact Resistance:	15 Meg ohm (Max.)
Insulation Resistance:	500V DC 1000 Meg ohm (Min.)
Dielectric Strength:	1000V AC for 1 Minute
Contact Material:	Silver
Terminal Material:	Brass - Silver Plate
Terminal Type:	Solder

Part No.	Replaces	Type	Action	Actuator
30-2501	AM2501	SPDT	Snap Action Momentary	Short Lever

SPECIFICATIONS:

Terminal:	Solder	OT Min.:	1.4mm
OF Max.:	45g	MD Max.:	0.8mm
RF Min.:	12g	FP Max.:	11.9mm
PT Max.:	2.8mm	OP:	8.8 ± 0.8mm

SUB-MINIATURE SNAP ACTION SWITCH with LONG LEVER

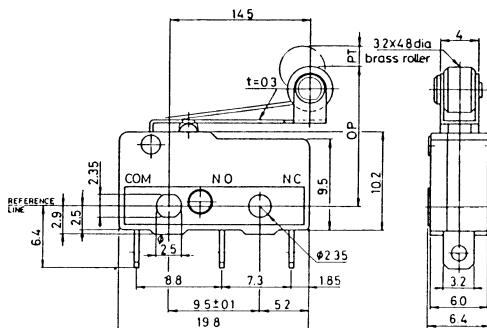


SPECIFICATIONS:

Current Rating:	5A @ 125V AC, 3A @ 250V AC
Initial Contact Resistance:	Under 30 Meg ohm
Insulation Resistance:	100 Meg ohm (Min.) at 500 VDC
Dielectric Strength:	1000V AC 50-60 Hz
Service Life:	Mechanically 30,000,000 Electrically 100,000
Terminal Type:	Solder

Part No.	Type	Action	Actuator
30-18222	SPDT	Snap Action Momentary	Long Lever

SUB-MINIATURE SNAP ACTION SWITCH with ROLLER LEVER



SPECIFICATIONS:

Current Rating:	5A @ 125V AC, 3A @ 250V AC
Initial Contact Resistance:	15 Meg ohm (Max.)
Insulation Resistance:	500V DC 1000 Meg ohm (Min.)
Dielectric Strength:	1000V AC for 1 Minute
Contact Material:	Silver
Terminal Material:	Brass - Silver Plate
Terminal Type:	Solder

Part No.	Replaces	Type	Action	Actuator
30-2505	AM2505	SPDT	Snap Action Momentary	Roller Lever

SPECIFICATIONS:

Terminal:	Solder	OT Min.:	1.4mm
OF Max.:	45g	MD Max.:	0.8mm
RF Min.:	12g	FP Max.:	17.6mm
PT Max.:	2.8mm	OP:	14.5 ± 0.8mm