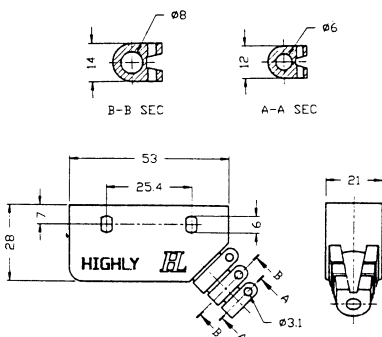


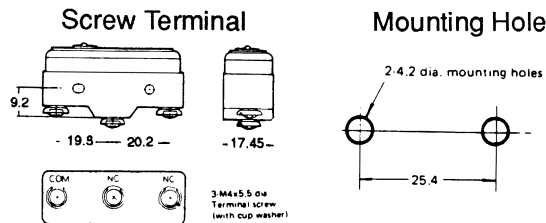
SWITCHES HEAVY DUTY SNAP ACTION

TERMINAL ENCLOSURE for Heavy Duty Snap Action Switches No. 30-8000

Replaces
No. AA8000



MOUNTING HOLES for Heavy Duty Snap Action Switches

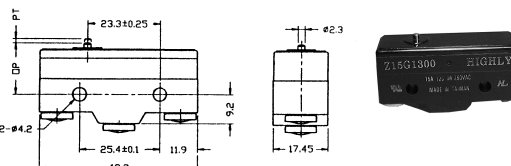


SPECIFICATIONS:

Current Rating:	15A @ 125/250V AC 1/2A @ 125V DC, 1/4 HP @ 250V DC 1/8 HP @ 125V AC, 1/4 HP @ 250V AC
Initial Contact Resistance:	15 Meg ohm (Max.)
Insulation Resistance:	500V DC 1000 Meg ohm (Min.)
Dielectric Strength:	1000V AC for 1 Minute
Contact Material:	Silver
Terminal Material:	Brass - Silver Plate
Terminal Type:	Screw

Part No.	Replaces	Type	Action	Actuator
30-1300	AM1300	SPDT	Snap Action Momentary	Pin Plunger
30-18144		SPDT	Snap Action Momentary	Extended Pin Plunger (14mm H.)

HEAVY DUTY SNAP ACTION SWITCH with PIN PLUNGER



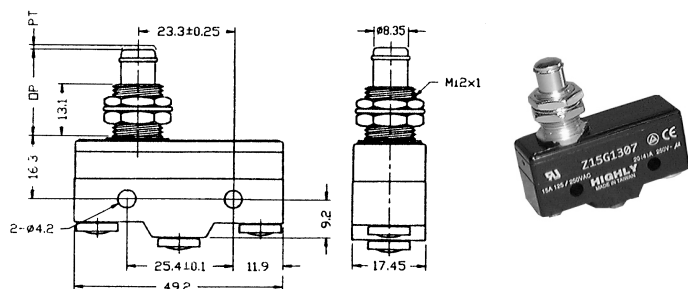
SPECIFICATIONS:	
Terminal: Screw	OT Min.: 0.13mm
OF Max.: 250-350g	MD Max.: 0.05mm
RF Min.: 114g	OP: 5.9 ± 0.4mm
PT Max.: 0.4mm	

SPECIFICATIONS:

Current Rating:	15A @ 125/250V AC 1/2A @ 125V DC, 1/4 HP @ 250V DC 1/8 HP @ 125V AC, 1/4 HP @ 250V AC
Initial Contact Resistance:	15 Meg ohm (Max.)
Insulation Resistance:	500V DC 1000 Meg ohm (Min.)
Dielectric Strength:	1000V AC for 1 Minute
Contact Material:	Silver
Terminal Material:	Brass - Silver Plate
Terminal Type:	Screw

Part No.	Replaces	Type	Action	Actuator
30-1307	AM1307	SPDT	Snap Action Momentary	Plunger

HEAVY DUTY SNAP ACTION SWITCH with PLUNGER



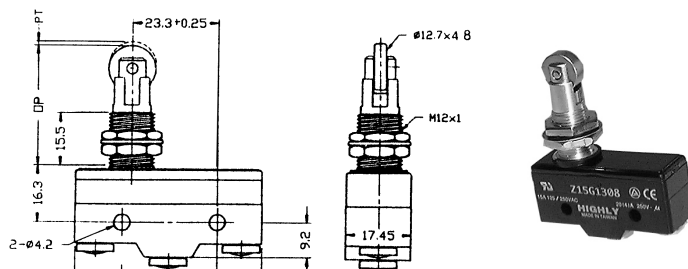
SPECIFICATIONS:	
Terminal: Screw	OT Min.: 5.5mm
OF Max.: 250-350g	MD Max.: 0.05mm
RF Min.: 114g	OP: 21.8 ± 0.8mm
PT Max.: 0.4mm	

SPECIFICATIONS:

Current Rating:	15A @ 125/250V AC 1/2A @ 125V DC, 1/4 HP @ 250V DC 1/8 HP @ 125V AC, 1/4 HP @ 250V AC
Initial Contact Resistance:	15 Meg ohm (Max.)
Insulation Resistance:	500V DC 1000 Meg ohm (Min.)
Dielectric Strength:	1000V AC for 1 Minute
Contact Material:	Silver
Terminal Material:	Brass - Silver Plate
Terminal Type:	Screw

Part No.	Replaces	Type	Action	Actuator
30-1308	AM1308	SPDT	Snap Action Momentary	Roller Plunger

HEAVY DUTY SNAP ACTION SWITCH with ROLLER PLUNGER



SPECIFICATIONS:	
Terminal: Screw	OT Min.: 3.58mm
OF Max.: 250-350g	MD Max.: 0.05mm
RF Min.: 114g	OP: 32.5 ± 1mm
PT Max.: 0.4mm	