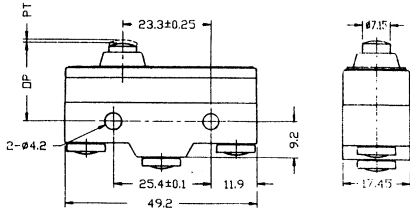


SWITCHES HEAVY DUTY SNAP ACTION

HEAVY DUTY SNAP ACTION SWITCH with BUTTON ACTUATOR



SPECIFICATIONS:

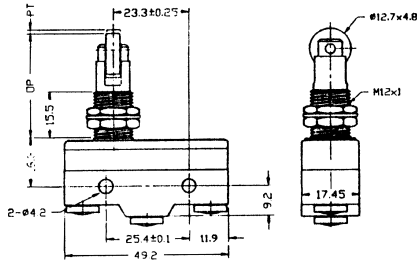
Current Rating:	15A - 125/250V AC 1/2A @ 125V DC
Initial Contact Resistance:	15 Meg ohm (Max.)
Insulation Resistance:	100 Meg ohm (Min.) at 500VDC
Dielectric Strength:	1000V AC 50/60 Hz for 1 Minute
Contact Material:	Silver
Terminal Material:	Brass - Silver Plate
Terminal Type:	Screw

Part No.	Type	Action	Terminal
30-18130	SPDT	Snap Action Momentary	Screw
30-18135	SPDT	Snap Action Momentary	Solder

SPECIFICATIONS:	
OF Max.: 250-350g	OT Min.: 1.6mm
RF Min.: 114g	MD Max.: 0.05mm
PT Max.: 0.4mm	OP: 21.5 ± 0.5mm



HEAVY DUTY SNAP ACTION SWITCH with SIDE ROLLER PLUNGER



SPECIFICATIONS:

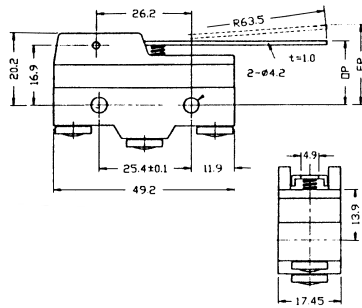
Current Rating:	15A @ 125/250V AC 1/2A @ 125V DC, 1/4 HP @ 250V DC 1/8 HP @ 125V AC, 1/4 HP @ 250V AC
Initial Contact Resistance:	15 Meg ohm (Max.)
Insulation Resistance:	500V DC 1000 Meg ohm (Min.)
Dielectric Strength:	1000V AC for 1 Minute
Contact Material:	Silver
Terminal Material:	Brass - Silver Plate
Terminal Type:	Screw

Part No.	Replaces	Type	Action	Actuator
30-1318	AM1318	SPDT	Snap Action Momentary	Side Roller Plunger

SPECIFICATIONS:	
Terminal: Screw	OT Min.: 3.58mm
OF Max.: 250-350g	MD Max.: 0.05mm
RF Min.: 114g	OP: 32 ± 1mm
PT Max.: 0.4mm	



HEAVY DUTY SNAP ACTION SWITCH with LONG LEVER



SPECIFICATIONS:

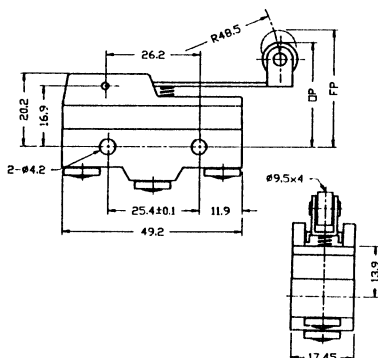
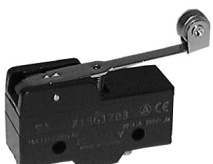
Current Rating:	15A @ 125/250V AC 1/2A @ 125V DC, 1/4 HP @ 250V DC 1/8 HP @ 125V AC, 1/4 HP @ 250V AC
Initial Contact Resistance:	15 Meg ohm (Max.)
Insulation Resistance:	500V DC 1000 Meg ohm (Min.)
Dielectric Strength:	1000V AC for 1 Minute
Contact Material:	Silver
Terminal Material:	Brass - Silver Plate
Terminal Type:	Screw

Part No.	Replaces	Type	Action	Actuator
30-1701	AM1701	SPDT	Snap Action Momentary	Long Lever

SPECIFICATIONS:	
Terminal: Screw	OT Min.: 5.6mm
OF Max.: 70g	MD Max.: 1.27mm
RF Min.: 14g	FP Max.: 28.2mm
PT Max.: 10mm	OP: 19 ± 0.8mm



HEAVY DUTY SNAP ACTION SWITCH with LONG ROLLER LEVER



SPECIFICATIONS:

Current Rating:	15A @ 125/250V AC 1/2A @ 125V DC, 1/4 HP @ 250V DC 1/8 HP @ 125V AC, 1/4 HP @ 250V AC
Initial Contact Resistance:	15 Meg ohm (Max.)
Insulation Resistance:	500V DC 1000 Meg ohm (Min.)
Dielectric Strength:	1000V AC for 1 Minute
Contact Material:	Silver
Terminal Material:	Brass - Silver Plate
Terminal Type:	Screw

Part No.	Replaces	Type	Action	Actuator
30-1703	AM1703	SPDT	Snap Action Momentary	Long Roller Lever

SPECIFICATIONS:	
Terminal: Screw	OT Min.: 4mm
OF Max.: 100g	MD Max.: 1.02mm
RF Min.: 22g	FP Max.: 36.5mm
PT Max.: 7.1mm	OP: 30.2 ± 0.8mm

