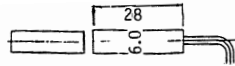


SWITCHES SPECIALTY & KEY

RECESSED MAGNETIC REED SWITCH

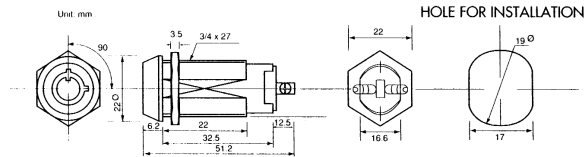


Mounting Hole: 0.25"

SPECIFICATIONS:

Current Rating:	.2A @ 12VDC		
Terminal Type:	12" Leads, 22 AWG		
Part No.	Type	Action	Actuator
30-17060	SPST	N.C. (Normally Closed) When Magnet is within actuation Range.	Magnet

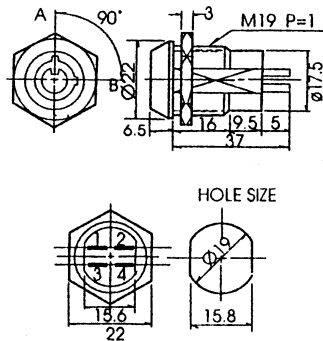
KEY SWITCH



SPECIFICATIONS:

Current Rating:	4A @ 125V AC, 2A @ 250V AC			
Initial Contact Resistance:	10 Meg ohm (Max.)			
Insulation Resistance:	500V DC 100 Meg ohm (Min.)			
Dielectric Strength:	1500V AC for 1 Minute			
Contact Material:	Brass - Silver Plate			
Terminal Material:	Brass - Silver Plate			
Terminal Type:	Screw			
Part No.	Replaces	Type	Key Pull	Actuator
30-10078	10078	SPST	ON or OFF Position	Barrel Key

KEY SWITCHES



Unit: mm

Note: May be used as either DPST or SPST.

SPECIFICATIONS:

Current Rating:	4A @ 125V AC, 2A @ 250V AC			
Initial Contact Resistance:	10 Meg ohm (Max.)			
Insulation Resistance:	500V DC 100 Meg ohm (Min.)			
Dielectric Strength:	1000V AC for 1 Minute			
Contact Material:	Brass - Nickel Plate			
Terminal Material:	Brass - Nickel Plate			
Terminal Type:	Solder			
Part No.	Replaces	Type	Key Pull	Actuator
30-10076	10076	DPST	OFF Position Only	Barrel (round) Key
30-10077	10077	DPST	ON or OFF Position	Barrel (round) Key

PLATE TUMBLER KEY SWITCHES



Mounting Hole: 0.875" (7/8")

SPECIFICATIONS:

Current Rating:	2.5A @ 120V AC, 2.1A @ 46V DC		
Contact Material:	Brass		
Terminal Material:	Brass		
Terminal Type:	Screw		
Hardware:	Cylinder Ring, Hex nut, 2 Screws, 2 Keys		
Part No.	Type	Key Pull	Actuator
30-1190	SPST	ON or OFF Position	Metal Key #HC530
30-1191	SPST	ON or OFF Position	Metal Key #HC531
30-1192	SPST	ON or OFF Position	Metal Key #HC540
30-1193	SPST	ON or OFF Position	Metal Key #HC550
30-1194	SPST	ON or OFF Position	Metal Key #HC553